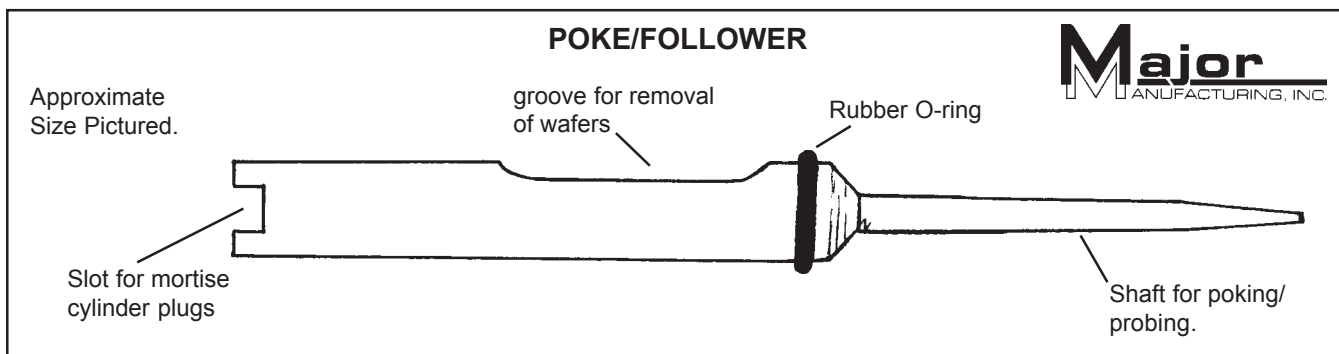


LOCKSMITH TOOLS



SCT-2

The Major Poke/Follower is a combination .495" diameter follower with a stop. The follower has a .120" groove cut into the body to accommodate the removal of most wafers without having to completely empty each of the pin chambers. The rear of the follower has a .250" machined slot in order to accept a variety of mortise cylinder plugs. A rubber O-ring provides a positive stop to insure against the housing sliding off of the follower. At the other end, there is a 2" shaft with a hardened .050" tip designed to poke or probe. (Ideal for depressing retainer when removing Schlage knobs, etc.)

kwikset
CYLINDER REMOVING TOOL

CYLINDER REMOVING TOOL

KW-1467

ESP
KWIKSET CYLINDER REMOVAL TOOL

ES-KCRT-1

Here is an exciting tool designed to work every time to remove cylinders from Kwikset "400" series knobsets. Made of strong tool-steel. Easy to follow, illustrated instructions included with each tool.

LAB
CYLINDER CAP REMOVER

LB-LCR 001

For use with Schlage, Weiser & Arrow cylinders. Depresses cylinder cap pin to remove cap in one easy turn.

A-1 **TOOL-N-ONE**
MADE IN U.S.A.

A1-TN1 See previous page for description.

HPC **FLIP-IT™**

FIT-2

When picking a lock in the wrong direction (intentionally or by error) the Flip-It™ will flip the cylinder plug past the upper pins and save the job of repicking. The Flip-It™ comes with 2 exclusive features. The two pin Quick Lock/Release feature allows for easy release of the rotating action. The sure stop feature prevents over winding in either direction.

A-1 **PLUG SPINNER**

A1-26

Frequently its almost impossible to pick a lock in the right direction, but easy to pick it backwards. Solve the problem with A-1's original Plug Spinner. When the lock is picked in the wrong direction, simply wind the spinner (left or right), set the trigger, insert the blade into the plug, release the trigger and the lock will be picked in the correct direction.

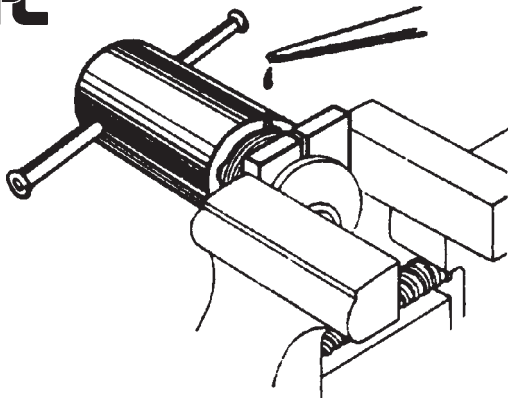
WEISER

WE-1029 3-Way Cylinder Cap Tool

LOCKSMITH TOOLS

MORTISE CYLINDER LOCK TAP & DIE SET

HPC



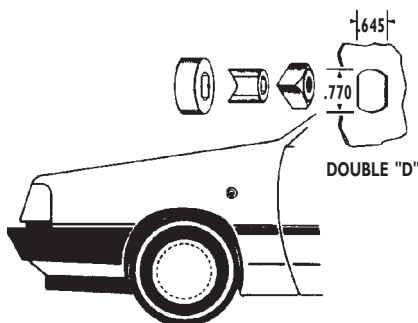
CLD-6
Cylinder Re-threading Die and Holding Fixture.

CLT-4
Lock Case Re-tapping Tap.

CLTD-5
Complete Tap & Die Kit with Cylinder Holding Fixture & Metal Box.

Bothered by stripped mortise cylinders and lock cases? How many times has a customer come into your shop with a stripped mortise cylinder, because he unscrewed it without loosening the retaining screw or fork? This kit offers the perfect solution to this problem as well as the more important task of rethreading cylinders and cases that are no longer manufactured and must be repaired.

METAL PUNCH AND DIE SETS



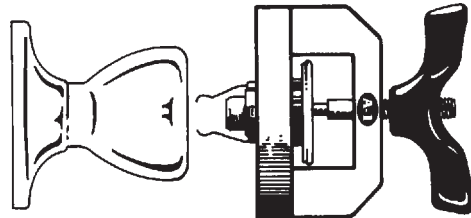
HDPS-4
PUNCHES A DOUBLE "D" HOLE. A necessary aid to the locksmith for installing vending machine and cam type locks on metal cabinets, sheet metal lockers, filing cabinets and cash boxes made of single wall, sheet metal of 18 gauge or lighter.

QUICKPULL

MADE IN U.S.A.

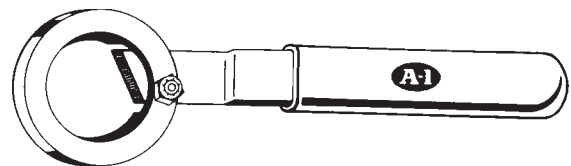
A-1

Cylinder Removal Tool for Kwikset and Dexter



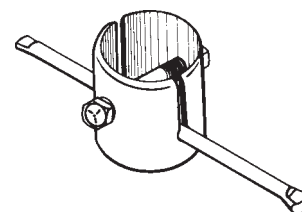
A1-QP
•Snaps cylinders out from the front of popular key-in-knob locksets in seconds • Why push when you can pull • No more disassembly of knobset • No more need to remove interior knob • Developed by a locksmith for locksmiths, this innovative tool removes the cylinders from Kwikset "400" series and Dexter "3200" series knobs. Virtually no damage to Kwikset "400" series. Dexter "3200" series will require replacement of retainer clips.

MORTISE CYLINDER REMOVAL TOOL



A1-16
REMOVES STUBBORN MORTISE CYLINDERS. This heavy duty cam action tool will allow you to remove even the most stubborn mortise cylinders. Automatically adjust from 15/16" to 1-1/2".

CYLINDER REMOVAL CLAMP



A1-17
REMOVES STUBBORN MORTISE CYLINDERS NON-MARRING. Grips standard mortise cylinders without marring the finish.

AUTO TOOLS



ACCESSORY PACKS FOR MODULAR KILLER KITS

(FOR UPGRADING KITS ON PREVIOUS PAGE)

The accessory packs listed at the right will upgrade the Modular Killer Kits shown on previous page to the next kit up. For example: if you have a AKK-55 Starter kit and you order a AP-1 accessory pack you will now have a AKK-66 Pro Killer Kit. Each pack contains the tools that are needed to upgrade to the next kit.

<u>No.</u>	<u>Description</u>
AP-1	Turns AKK-55 into AKK-66
AP-2	Turns AKK-66 into AKK-77
AP-3	Turns AKK-77 into AKK-88
AP-4	Turns AKK-88 into AKK-99

UNIVERSAL KILLER KIT™



AKK-E10 (Pictured)

AKK-E9 (Same as AKK-E10 excluding FAL-15)

The Universal Killer Kits™ come complete with a black plastic carrying case featuring a clear-view front and fully illustrated instructions and the following tools: AW-38, CO-10, CO-11, CO-22, CO-21, CO-39, CO-40, CO-56, CO-60. The AKK-E10 also comes with the FAL-15 light.

MISCELLANEOUS AUTO TOOLS

A-1



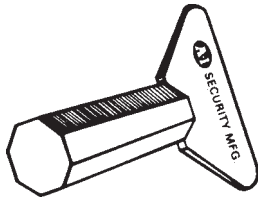
A1-GP1 Plug Puller for G.M.

Pull most G.M. trunk & deck plugs in seconds. Since the G-Pull never touches the auto body, there is no fear of scratching the paint or bending the body. Can also be used for some foreign autos and removable core padlocks, desk locks, etc.



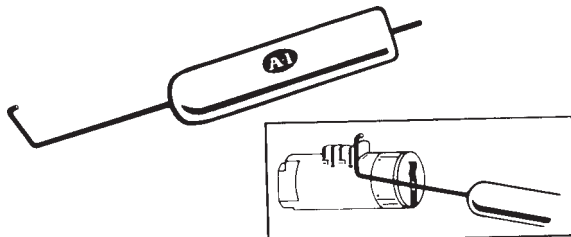
A1-6 G.M. Lock Decoder

Works when others fail. This quality tool makes everyone a professional. Decode all years of G.M. sidebar without complete disassembly.



A1-8 Bezel Nut Wrench

Removes bezels found in G.M. glove compartment locks.



A1-5 G.M. Plug Remover/Poke Tool

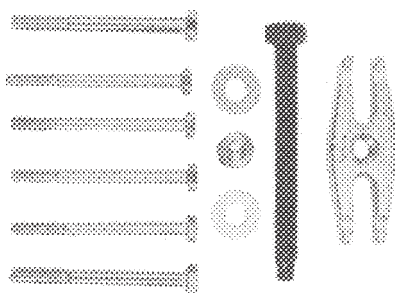
A combination glove compartment plug remover and poke tool for ignition locks. To remove glove compartment plug, insert hook between the retainer and the No. 1 wafer. Hook over retainer slide and pull down and out. Works in locked or unlocked position.

AUTO TOOLS



ALL-LOCK

SPECIALIZED AUTO TOOLS



AL-9902

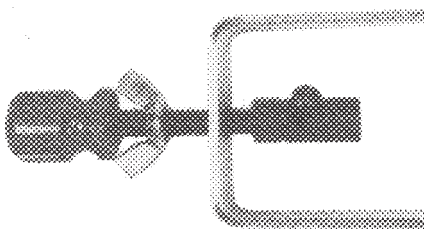
Steering Wheel Puller

Used for virtually all ignition lock replacements.

AL-9903

Lock Plate Tool For Saginaw Style Columns

AMC, GM and Chrysler products all require this tool to replace the ignition lock.

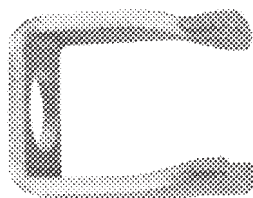
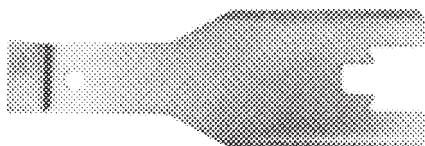


AL-9904

Removes trim panels without damage. Pops nylon and metal fasteners loose quickly and easily. A must for door lock work!

AL-9905

Makes removing/installing snap ring style door handles on AMC, GM and Chrysler cars a breeze.



AL-9907

Lock Plate Tool

A must to service the ignition lock on the non-tilt Beretta/Corsica square column.

AL-9908

Tilt Telescope Adapter

Used with AL-9903 to service telescoping columns on AMC, GM, Chrysler.

