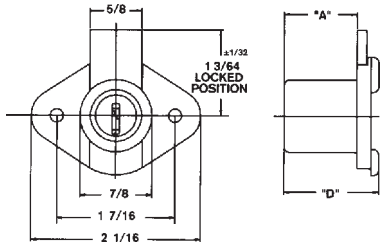


DESK LOCKS

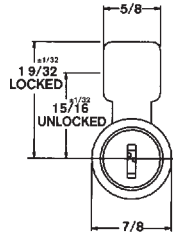
BOLT TYPE LOCKS



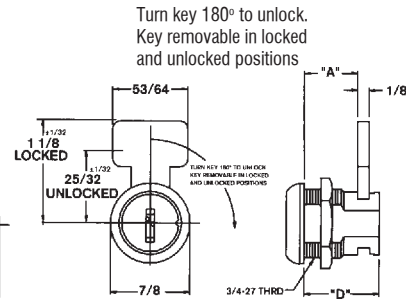
- Five Disc tumbler.
- Removable plug feature.
- Steel locking bolt.
- Furnished with two keys per lock.



C1968



C1975



C1974

Stock No.	A	D	Finish	Keyed Alike Numbers Available
C1968	57/64"	1-5/32"	Brushed Brass	1289, 1454
C1974	19/32"	27/32"	Satin Chrome	1289, 1454
C1975	21/32"	57/64"	Satin Chrome	1289, 1454

Available **KV**-Keyed Different or **KA**-Keyed Alike. *Specify KV or KA*

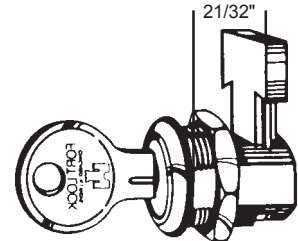
*KV indicates the majority of the quantity of locks will be keyed different. A lesser quantity will potentially be keyed alike to one or more key numbers. We can not guarantee that we can ship keyed DIFFERENT locks.

23000 SERIES MULTI-FUNCTION METAL DRAWER LOCK w/UNIVERSAL KEYWAY



- Single bitted.
- Multi-function—2 bolt throw heights.
- Bolt notched for assembled installation.
- 90° key turn to open.
- Key removable locked or unlocked.
- Removable cylinder for rekeying.
- Finish: Brass or Stainless Steel.
- Two keys furnished per lock.

Stock No	Keying
MFW-23010 KD	Keyed Different
MFW-23010 KA	Keyed Alike—217, 221, 224, 237, 238



PIN TUMBLER DOOR DRAWER LOCKS

APPLICATION—For center drawers of desks. Fits special piercing of drawer front and selvedge (see drawing). Reinforced insertable dead bolt. Metal drawer, 1/4" Max. material thickness.

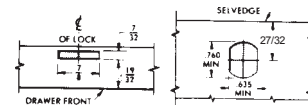
OPERATION—Key removable in both locked and unlocked positions.

KEYING—Will key together with all other pin tumbler locks using D4291 key blank except NL-C8700 mail box locks. Available keyed different (**KD**) or keyed alike (**KA**).

KEY BLANK—D4291.

PACKAGING—Supplied with two keys and mounting nut.

FINISHES—26D- Dull Chrome.



Mounting Holes



Stock #	Mounting or Installation	Bolt Type	Cylinder Length	Bolt Travel	Keyed Alike Number Available
NL-C8137-26D	Drawer	Reinforced, Insertable Dead Bolt	19/32"	7/16"	107, 915

Available **KD**-Keyed Different or **KA**-Keyed Alike. *Specify KD or KA*

©ZIPF LOCK COMPANY

Also be sure to check "CHEST, CUPBOARD & DRAWER LOCKS" if you cannot find it here.

DESK LOCKS

DISC TUMBLER DRAWER LOCKS

APPLICATION—For center drawers of metal desks. Fits special piercing of drawer front and selvage (see drawing). 1/4" max. mat'l. thickness

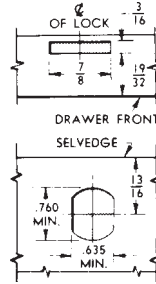
OPERATION—Key removable in both locked and unlocked positions.

KEYING—Will key together with all other disc tumbler locks using D8785 key blank. Available keyed different (**KD**) or keyed alike (**KA**).

KEY BLANK—D8785.

PACKAGING—Supplied with two keys and mounting nut.

FINISHES—14A- Bright Nickel



<u>Stock #</u>	<u>Mounting or Installation</u>	<u>Bolt Type</u>	<u>Cylinder Length</u>	<u>Bolt Travel</u>	<u>Keyed Alike Numbers Available</u>
NL-C8701-14A	Drawer*	Reinforced, Insertable Dead Bolt	19/32"	11/32"	C413A, C415A

*Metal drawer, 1/4" max. material thickness.

Available **KD**-Keyed Different or **KA**-Keyed Alike. *Specify KD or KA*