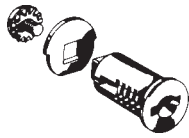


# HANDLE LOCKS

## COOLER LOCKING HANDLE & REPLACEMENT PLUGS



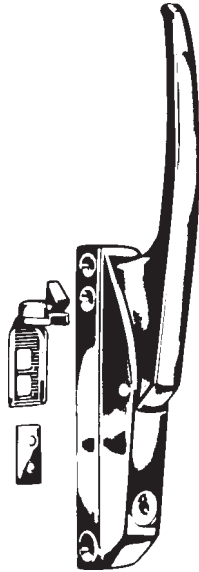
NL-C8764-26



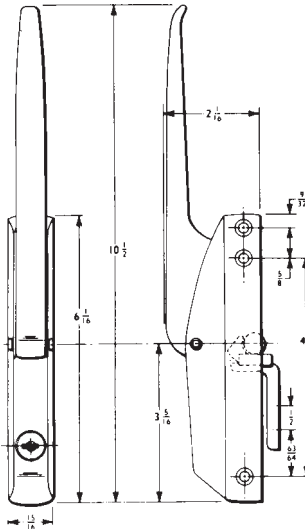
NL-C8763-26



NL-C8762-26



NL-C8765-26



**APPLICATION**—Handle mounts on edge of freezer and cooler doors. Reversible for R.H. or L.H. doors. NL-C8762 and NL-C8763 replacement plugs are for earlier models of NL-C8765 locking handles (National Lock 59-1105 series of handles).

**OPERATION**—Key removable in both locked and unlocked positions. Handle can be used as latch until locked by key.

**KEYING**—Keyed alike to XC-3.

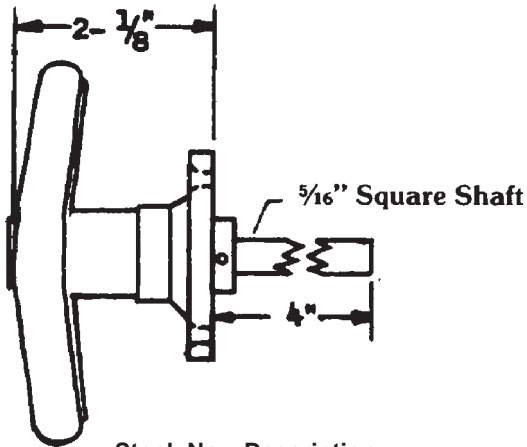
**KEY BLANK**—D8780.

**PACKAGING**—NL-C8765 supplied with two keys, strike mounting plate and strike. Mounting screws not furnished. NL-C8762 and NL-C8763 plugs supplied with two keys and specific retainer. NL-C8764 plug supplied with two keys, retainer/stop and screw.

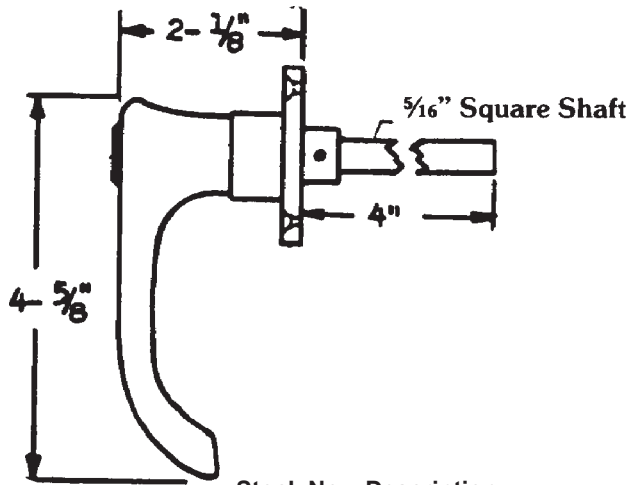
**FINISHES**—26-Bright Chrome.

| <u>Stock No.</u> | <u>Installation</u>                 | <u>Bolt Type</u>     |
|------------------|-------------------------------------|----------------------|
| NL-C8765-26 KA   | Edge mounted on Freezer/Cooler Door | Integral Roller bolt |
| NL-C8764-26      | Current NL-C8765 Handles            | —                    |
| NL-C8763-26      | N.L. 59-1105 Handles                | —                    |
| NL-C8762-26      | Early models, N.L. 59-1105 Handles  | —                    |

## BAUER PRODUCTS



| <u>Stock No.</u> | <u>Description</u> |
|------------------|--------------------|
| ZH-2000          | Rigid 1-1/2" cc    |
| ZH-2100          | Rigid 1-3/4" cc    |



| <u>Stock No.</u> | <u>Description</u> |
|------------------|--------------------|
| ZH-1000          | Rigid 1-1/2" cc    |
| ZH-1100          | Rigid 1-3/4" cc    |

©ZIPF LOCK COMPANY