

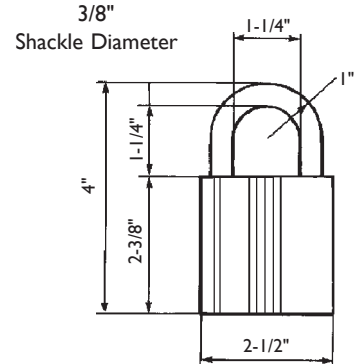
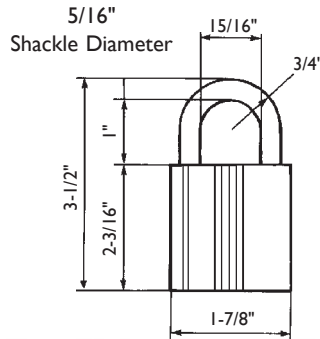
# ZIPF LOCK COMPANY

## PADLOCKS



### TWIN/6000 SERIES TWIN EXCLUSIVE SERIES PADLOCKS

- Can be incorporated into any ASSA key system.
- All sub-assembled, no sidebar(SNS)
- For more information on ASSA, see previous page.
- Available in more restricted keyways, CALL FOR DETAILS.



#### KEY RETAINING PADLOCK

Rust-resistant case-hardened steel shackle. The locking mechanism has two case-hardened steel balls. No external rivets or screws. With weep holes for positive water drainage and protection from ice buildup.



**Twin 6000 Item No.**  
**65191B** (No. 2)  
**65191LB** 2-1/16" Extended Shackle  
**NEW** **Twin Exclusive Item No.**  
**E65191B** (No. 2)  
**E65191LB** 2-1/16" Extended Shackle

**Twin 6000 Item No.**  
**65391B** (No. 3)  
**NEW** **Twin Exclusive Item No.**  
**E65391B** (No. 3)

### BEST

**Designed to stop theft and unauthorized use in the HIGHEST RISK LOCATIONS.**

Alloys of triple heat-treated Boron Manganese, Kryptonium™, and Molybdenum are combined with street-smart engineering to ensure that these are Kryptonite's strongest, professional-grade Flex Security products.

**KRYPTONITE**  
 Tough World, Tough Locks

**Professional Padlock Series**  
**Extreme-Duty padlocks including:**

Keyway  
 Ilco #1046A



Keyway  
 Ilco #1046A



#### Solid Steel Padlock

**1-3/4" Body—**

**KR-851134** 1-1/8" Shackle Length, 5/16" diameter.

**2-1/8" Body—**

**KR-851141** 1-1/8" Shackle Length, 3/8" diameter.

Hardened solid steel padlock with Molybdenum steel shackle for greater resistance to sawing, cutting and prying attacks. Double deadbolt locking mechanism. Quick-change shackle design. 6-pin Brass cylinder is rekeyable and changeable. Accepts American Lock cylinders. **Locks are keyed alike - 6 per box.**

#### Solid Steel Shrouded Padlock

**1-3/4" Body—**

**KR-851172** 1" Shackle Length, 5/16" diameter.

**2" Body—**

**KR-851189** 1-1/8" Shackle Length, 3/8" diameter.

Hardened solid steel padlock with shrouded Molybdenum steel shackle for maximum resistance to sawing, cutting and prying attacks. Double deadbolt locking mechanism. Quick-change shackle design. 6-pin Brass cylinder is rekeyable and changeable. Accepts American Lock cylinders. **Locks are keyed alike - 6 per box.**

# ZIPF LOCK COMPANY

## PADLOCKS

### KRYPTONITE

Tough World, Tough Locks

#### BEST

**Designed to stop theft and unauthorized use in the HIGHEST RISK LOCATIONS.**

Alloys of triple heat-treated Boron Manganese, Kryptonium™, and Molybdenum are combined with street-smart engineering to ensure that these are Kryptonite's strongest, professional-grade Flex Security products.

Keyway  
Ilco #1046A

#### Heavy Duty Solid Steel Padlock

2-1/2" Body—

**KR-851219** 1" Shackle Length, 7/16" dia.

2-1/2" Body—

**KR-851226** 2" Shackle Length, 7/16" dia.

2-1/2" Body—

**KR-851233** 3" Shackle Length, 7/16" dia.

Hardened solid steel padlock with Molybdenum steel shackle for greater resistance to sawing, cutting and prying attacks. Double deadbolt locking mechanism. Quick-change shackle design. 6-pin Brass cylinder is rekeyable and changeable. Accepts American Lock cylinders. **Locks are keyed alike - 6 per box.**



#### Heavy Duty Flexible Steel Cable

**KR-820406** 7' x 5/8" diameter cable

Braided steel vinyl coated cable in 5/8" diameter with extra long oversized swages. Double loop design allows cinching for more usable length and more flexible lockup options with Kryptonite padlocks or virtually any high security padlock.

Keyway  
Ilco #1092

#### Covered Laminated Steel Padlock

**KR-850403** 1-1/2"

**KR-850410** 1-1/2", 2-pack keyed alike

Padlock features a case hardened steel shackle. Double deadbolt locking. Plated, laminated steel body, covered cylinder for increased weather protection.

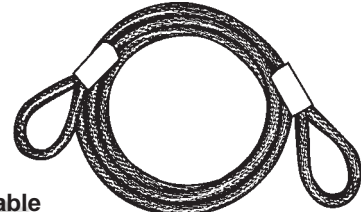


**More "Good" on next page.**

#### BETTER

**Designed to stop theft and unauthorized use in MEDIUM TO HIGH RISK LOCATIONS.**

Heavy-duty braided steel cables, as well as industrial-grade padlocks, ensure that these Flex Security products will provide serious security on the job or on the weekend.



#### Flexible Steel Cable

**KR-830504** 30' x 3/8" diameter cable

**KR-830412** 15' x 3/8" diameter cable

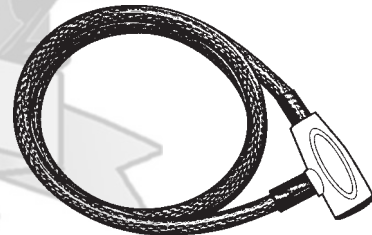
**KR-830405** 7' x 3/8" diameter cable

Braided steel vinyl coated cable in 3/8" diameter with extra long oversized swages. Double loop design allows cinching for more usable length and more flexible use with Kryptonite padlocks or virtually any padlock.

#### GOOD

**Designed to stop theft and unauthorized use in LOW TO MEDIUM RISK LOCATIONS.**

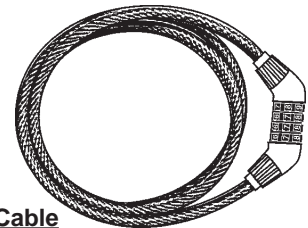
Flexible, braided steel cables and high-quality padlocks in the most popular sizes ensure that these Flex Security products will provide great protection against "grab and dash" thefts on the job, around the yard, in the garage, anywhere and anytime.



#### Key Cable

**KR-830139** 5' x 1/2" diameter cable

Flexible, 1/2" diameter vinyl coated steel cable with a tough integrated key lock. Weather resistant cylinder. Two coded keys.



#### Resettable Combination Cable

**KR-830207** 5' x 5/8" diameter cable

Flexible, 3/8" diameter vinyl coated steel cable with a tough integrated 4-digit resettable combination lock. Combination can be set and reset quickly and easily.

©ZIPF LOCK COMPANY

472

(PL-44)

"Your warehouse around the corner"

# ZIPF LOCK COMPANY

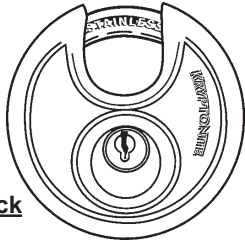
## PADLOCKS

**KRYPTONITE**  
Tough World, Tough Locks

### GOOD

Designed to stop theft and unauthorized use in  
**LOW TO MEDIUM RISK LOCATIONS.**

Continued-



#### **Stainless Steel Padlock**

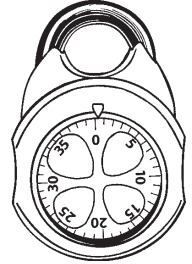
**KR-850434** 2-3/4"

Padlock features armor-protected hardened steel shackle. Double deadbolt locking. Stainless steel deep welded body.

#### **E Z Touch Combination Padlock**

**KR-850441** 2"

Padlock features patent-pending ergonomic dial that can be set using one hand. Right-Left-Right dial mechanism offering 64,000 combinations. Hardened steel shackle. Protective plastic shroud over hardened steel body.



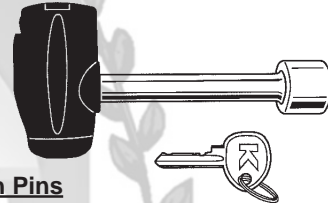
### SPECIALTY

Specialized security solutions designed to stop theft and unauthorized use, including high security ground anchors, locking trailer hitch pins, and adjustable length ladder locks.

#### **StrongHold Security Anchor**

**KR-330202** Above-ground security anchor

An extra-tough theft resistant locking point, for use indoors or out, providing protection from ride-away, roll-away and lift-away theft. 5/8" hardened carbon alloy steel shackle lays flat when not in use. Weatherproof, impact resistant body. Includes 5/8" cement anchor bolts. Recommended for both commercial and residential installations.



#### **Locking Hitch Pins**

**KR-360209** 1/2" pin diameter, class II, 1-1/4" receivers

**KR-360216** 5/8" pin diameter, class III, 2" receivers

Serious security for receiver style trailer hitches and hitch-mount racks. High-security hardened steel locking head swivels for easy use in tight locations. Double chrome plated for corrosion resistance. Protective keyway cover.

#### **Hitch Pin Security Cable**

**KR-360223** 12" x 1/2" cable

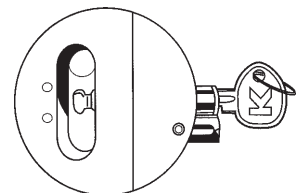
For use with all Kryptonite locking hitch pins. Secure gear with cable then slide steel loop end onto hitch pin and lock into place. Braided steel cable increased resistance to cutting and sawing. Extra large loop end for cinching.



Keyway  
Ilco #1046A



Front



Back

#### **Shackle-less Padlock**

**KR-855156** 2-7/8" x 1-1/2"

Designed for use in the highest risk locations. Pick and drill resistant 6-pin brass cylinder. 2-7/8" x 1-1/2" heavy duty solid hardened steel body. Resists prying, cutting and sawing attacks

©ZIPF LOCK COMPANY

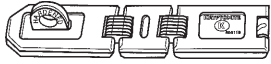
# ZIPF LOCK COMPANY

## PADLOCKS

**KRYPTONITE**  
*Tough World, Tough Locks*

### HASPS

Solid Hardened Steel Hasps



**Flexible Steel Hasp**

**KR-855118**

7-3/4" x 1-3/4"



**Vehicle Hasp**

**KR-855101**

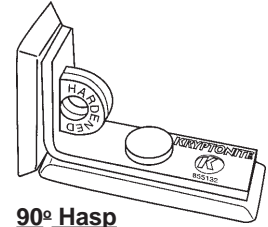
8-1/2" x 4-1/2"



**Center Hole Hasp**

**KR-855125**

5" x 2"



**90° Hasp**

**KR-855132**

4-1/4" x 1-5/8"

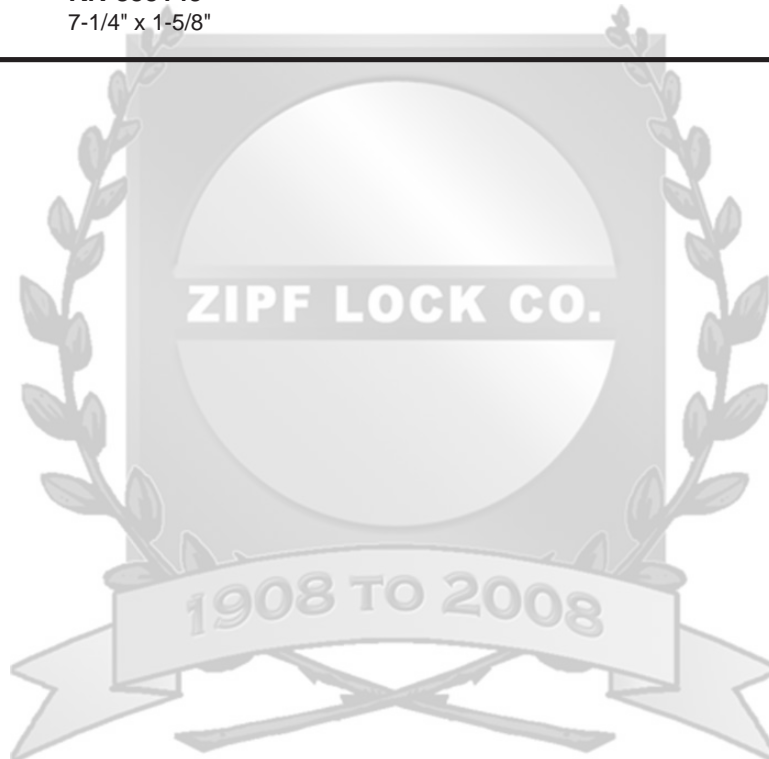


**Steel Bar Hasp**

**KR-855149**

7-1/4" x 1-5/8"

Need a Kryptonite product not shown here??  
Give us a call with your needs.



"CELEBRATING 100 YEARS IN 2008"

©ZIPF LOCK COMPANY

474

(PL-44)

"Your warehouse around the corner"