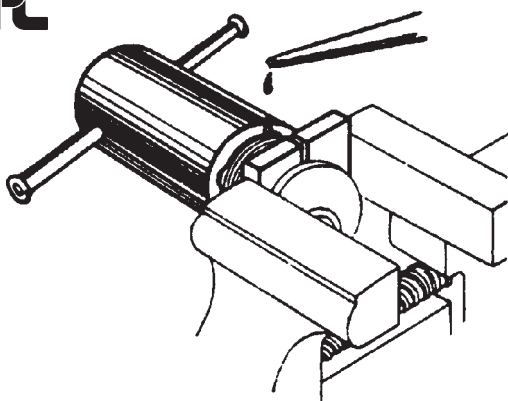


LOCKSMITH TOOLS

MORTISE CYLINDER LOCK TAP & DIE SET

HPC



CLD-6

Cylinder Re-threading Die and Holding Fixture.

CLT-4

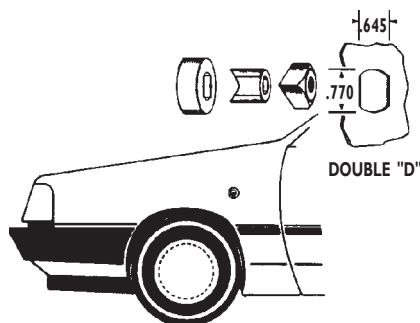
Lock Case Re-tapping Tap.

CLTD-5

Complete Tap & Die Kit with Cylinder Holding Fixture & Metal Box.

Bothered by stripped mortise cylinders and lock cases? How many times has a customer come into your shop with a stripped mortise cylinder, because he unscrewed it without loosening the retaining screw or fork? This kit offers the perfect solution to this problem as well as the more important task of rethreading cylinders and cases that are no longer manufactured and must be repaired.

METAL PUNCH AND DIE SETS



HDPS-4

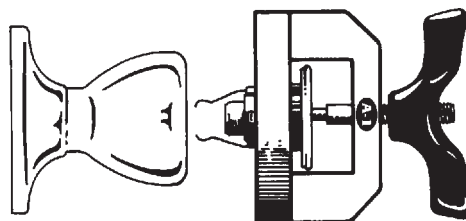
PUNCHES A DOUBLE "D" HOLE. A necessary aid to the locksmith for installing vending machine and cam type locks on metal cabinets, sheet metal lockers, filing cabinets and cash boxes made of single wall, sheet metal of 18 gauge or lighter.

QUICKPULL

MADE IN U.S.A.

A-1

Cylinder Removal Tool for Kwikset and Dexter

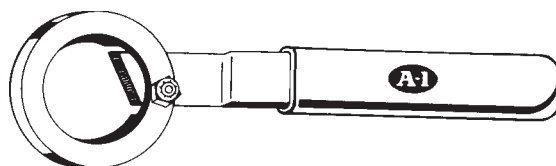


A1-QP

•Snaps cylinders out from the front of popular key-in-knob locksets in seconds • Why push when you can pull • No more disassembly of knobset • No more need to remove interior knob •

Developed by a locksmith for locksmiths, this innovative tool removes the cylinders from Kwikset "400" series and Dexter "3200" series knobs. Virtually no damage to Kwikset "400" series. Dexter "3200" series will require replacement of retainer clips.

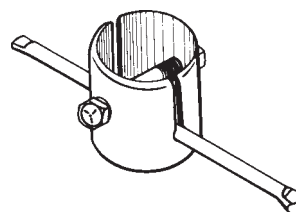
MORTISE CYLINDER REMOVAL TOOL



A1-16

REMOVES STUBBORN MORTISE CYLINDERS. This heavy duty cam action tool will allow you to remove even the most stubborn mortise cylinders. Automatically adjust from 15/16" to 1-1/2".

CYLINDER REMOVAL CLAMP



A1-17

REMOVES STUBBORN MORTISE CYLINDERS NON-MARRING. Grips standard mortise cylinders without marring the finish.