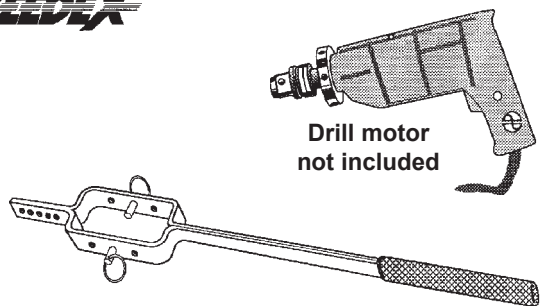


SAFE TOOLS

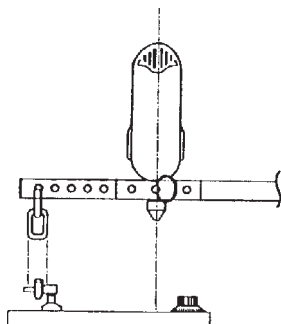
SAFEbuster



Drill motor
not included

KD-K-14

This tool is used to drill through hardplate. You can apply over 500 pounds of pressure at the drill tip with about 35 pounds of pressure at the handle. Penetrates most hardplate in minutes instead of hours. **Drill Motor Not Included.** • Quick Release Pins • Drills at almost any angle • 12" chain included • Allows drill motor to be used for other purposes • Portable & built to last a lifetime • Designed to prevent dangerous rotation of drill motor •



Versatile safe drilling rig that uses over 12 types of drill motors. Bosch, AEG, etc. The most affordable in its class. You won't be afraid of any safe with this innovative Keedex product. • Can be used with many makes & models of drill motors • Precision made from quality material • Large, comfortable handle grip • Minimum time for setup & take down • 35 lbs. pressure on handle exerts 500 lbs. on drill tip •

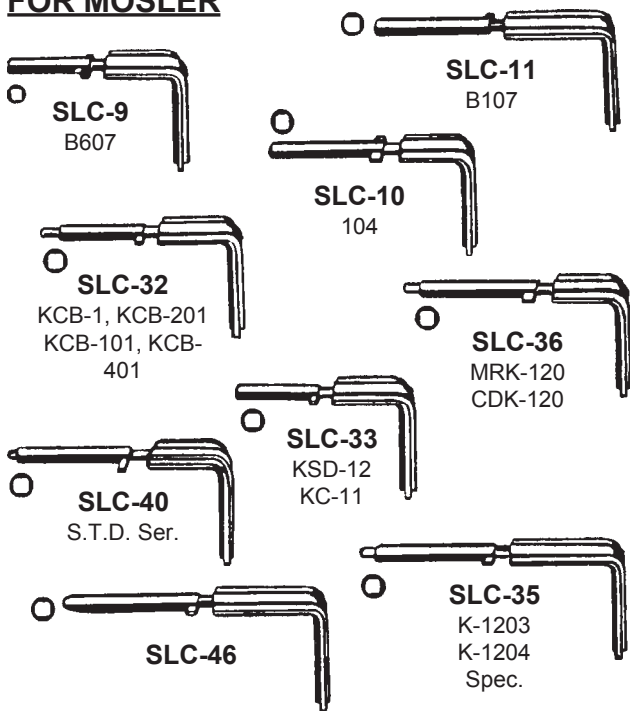
PARTIAL LIST OF DRILL MOTORS COMPATIBLE WITH THE KD-K-14 SAFEbuster

MFG	MODEL	RPM	HAMMER DRILL
Bosch	SB4502	0-1500 0-4500	•
Bosch	1182	0-1100 0-3300	•
Bosch	1557VSR	0-1400 0-3300	•
Bosch	1198VSR	0-1100 0-3300	•
AEG	BE8RL	0-2200	•
AEG	SBE-401RL	0-2800	•
AEG	SB2E-13RL	0-1200 0-2500	•
AEG	SB2E-20RL	100-850 300-3000	•
Jepson	2219	0-1100 0-2800	•
Hitachi	D6V	0-230	•

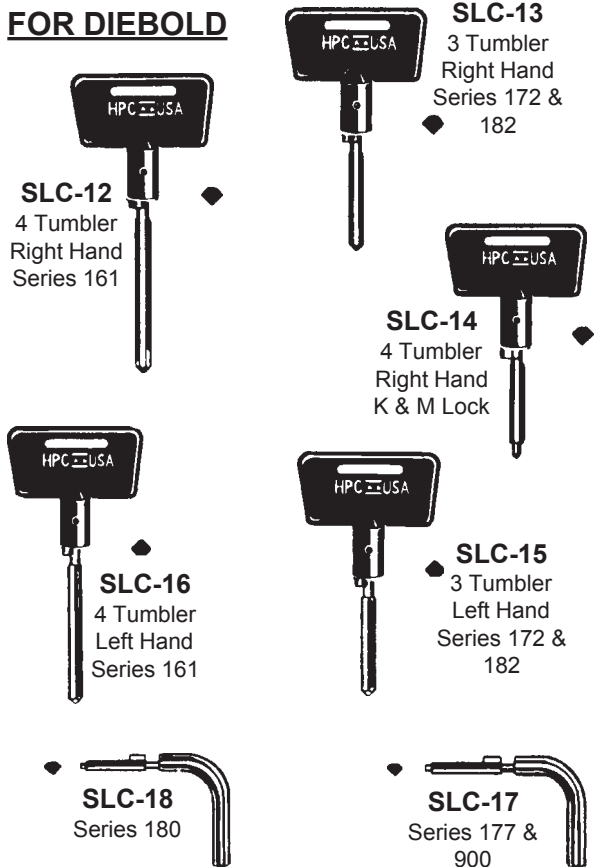
SAFE CHANGE KEYS



FOR MOSLER



FOR DIEBOLD

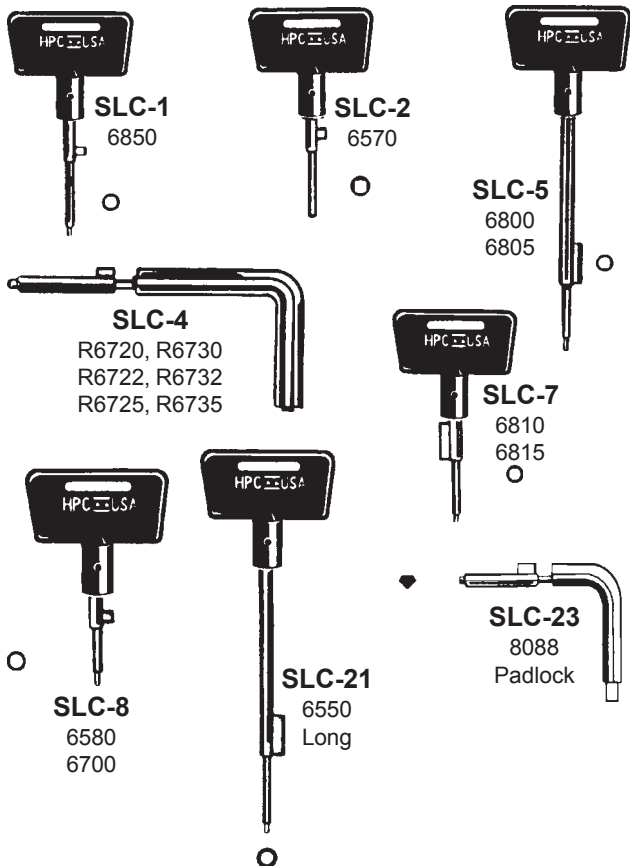


SAFE TOOLS



SAFE CHANGE KEYS

FOR SARGENT & GREENLEAF



SLC-1
6850

SLC-2
6570

SLC-5
6800
6805

SLC-4

R6720, R6730
R6722, R6732
R6725, R6735

SLC-7

6810
6815

SLC-8
6580
6700

SLC-21
6550
Long

SLC-23
8088
Padlock

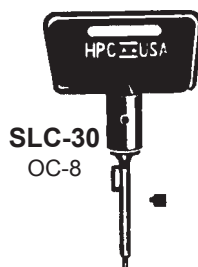
SLC-43

For Group 3 & 4
Wheel Combination
Locks

SLC-42

For Group 1 & 2 &
2200 Key Lock

FOR YALE



SLC-30
OC-8

SAFE SLICK

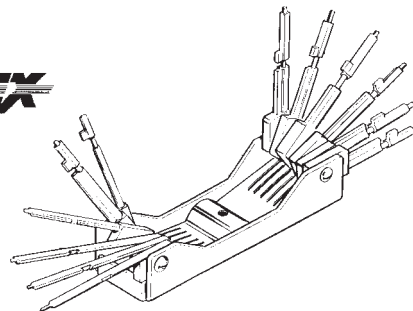


KD-K-1

The Keedex Safe Slick is a specially formulated gel lubricant for the professional locksmith.

Use on locking bolts, pivot points, sliding parts, panic hardware and safes. Will not dry out like white grease or become gritty like black grease. Safe Slick is non-penetrating and odorless. Handy 2 oz. size.

CHANGE KEY SET



KD-K-18

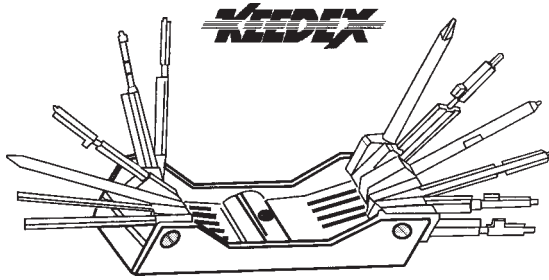
How many times have you searched and searched for a particular change key at the bottom of your tool box? Keedex came up with a solution. The KD-K-18 Change Key Set is a set of the twelve most common change keys, all in a handy case. Keys fold out "knife style" to select the proper tool. Case is engraved with description of uses. Keys are made of stainless steel.

Key#	Description
K-18-1	Mosler-35-4 Wheel
K-18-2	Mosler-302-3 Wheel
K-18-3	S&G AMSEC 3 Wheel
K-18-4	S&G-6720-3 Wheel
K-18-5	Diebolt-180-3 Wheel
K-18-6	Diebolt-177-4 Wheel
K-18-7	S&G-Padlock-3 Wheel
K-18-8	S&G-4163
K-18-9	LaGard-R1-3 Wheel
K-18-10	LaGard-3 Wheel
K-18-11	LaGard-4 Wheel
K-18-12	LaGard-AMSEC-3 Wheel

KEEDEX GSA TYPE CHANGE KEY SET—NEXT PAGE

SAFE TOOLS

GSA TYPE CHANGE KEY SET



KD-K-GSA

The Keedex KD-K-GSA, GSA type change key set, is designed for those individuals working in the GSA environment. Contains the keys needed for servicing GSA rated containers. Keys are made of cast stainless steel. Case is engraved with description of uses.

Key#	Description
#1	Phillips Head
#2	Mosler 302
#3	LaGard-Metal Wheel
#4	LaGard-Plastic Wheel
#5	S&G 4 Wheel (8400)
#6	S&G 3 Wheel (std)
#7	8077 Reset
#8	8077 Reset
#9	8077 Change Key
#10	Flat Screwdriver
#11	Centi Spline Allen Wrench
#12	Mosler Attaching Allen Wrench