

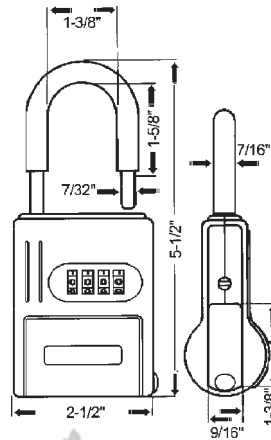
ZIPF LOCK COMPANY

KEY CABINETS

SHURLOK

- Never be locked out again.
- Patented feature-One combination opens the shackle and another combination opens key department.
- Secure-10,000 possible combinations.
- No front lid to fall off.
- Durable-all metal construction.
- Hardened steel shackle.
- Easier to use and recombine.
- Zero locking-can be opened in dark or by vision impaired.
- Rust resistant
- 1 year warranty.

<u>Stock No.</u>	<u>Description</u>
SL-200W BLACK	Box
SL-170	Lever grip



SUPRA



SR-000394 (C3) COMBINATION KEY BOX

All purpose removable KeyBox. User resettable combinations. DoorGuard rubber bumper protects surfaces. Three letter combination can be set to 17,000 different combinations. Easily attaches to door knobs, gates and railings.



SR-000404 (S5) COMBINATION KEY BOX

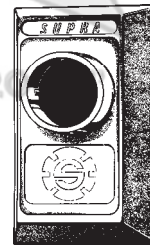
Surface mount unit. 4 screws provided. User resettable combinations. Three letter combination can be set to 17,000 different combinations. Rustproof and durable.



SR-000544 (C3-MORT) UNIVERSAL KEY BOX

~~\$~~-Discontinued. Call for closeout prices.

Easy to install and remove. Accepts 1-1/8" and 1-1/4" length mortise cylinders. DoorGuard rubber bumper protects surfaces. Uses standard Yale-type flat cam. Can be tied into master key systems.



SR-000534 (M5) UNIVERSAL KEY BOX

Surface mounted unit. 4 screws provided. Accepts 1-1/8" and 1-1/4" length mortise cylinders. Ties into current master key systems.

©ZIPF LOCK COMPANY

391v1
(PL-35)

"Your warehouse around the corner"

ZIPF LOCK COMPANY

KEY CABINETS



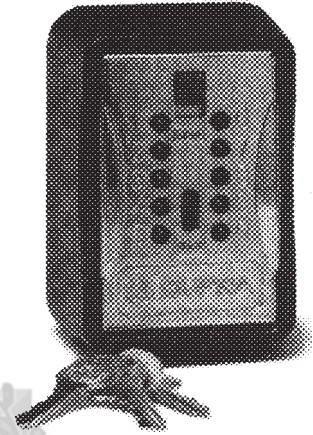
NOTE: KeyBox will open when the correct pushbuttons are pushed in any order.
EX: If set to 2785 you can also open with 8527, 2857, etc.



SR-001166 (C3 PUSH) PUSHBUTTON COMBINATION KEYBOX

User changeable pushbutton combo. Chrome plated. All purpose portable KeyBox with black DoorGuard® rubber bumper protects surfaces.

INSIDE
DIMENSIONS:
3-5/8"H x 2-3/8"W
x 1-3/4"D



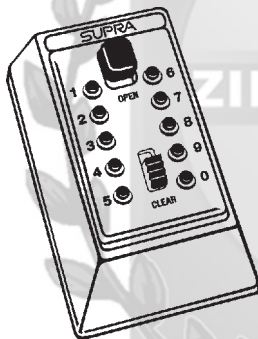
SR-001267 (S7) BIG BOX

Surface Mounted unit. Supra's new Big Box is a great addition to the STOR-A-KEY line of key storage items. Capitalizing on the popularity of the pushbutton lid, the Big Box is easy to use and offers these valuable features: Access cards easily fit into larger storage area; Accommodates multiple keys and bigger keys; Durable, recessed lid for tamper-resistance; Pushbutton technology makes combinations convenient to change.

NOTE: KeyBox will open when the correct pushbuttons are pushed in any order.

EX: If set to 2785 you can also open with 8527, 2857, etc.

NOTE: KeyBox will open when the correct pushbuttons are pushed in any order.
EX: If set to 2785 you can also open with 8527, 2857, etc.

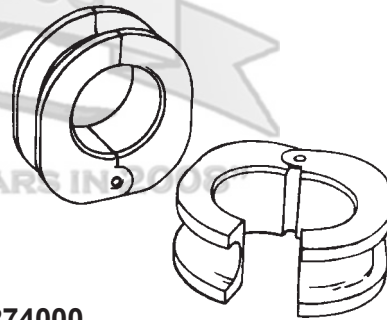


SR-001015 (S5 PUSH) PUSHBUTTON COMBINATION KEYBOX

User changeable pushbutton combo. Painted vault and lid. Surface mount: holds up to 5 keys.

SUPER HOOP

When doors can't handle a KeyBox !!



SR-274000 SUPER HOOP (sold as each)

The SuperHoop is an adapter that allows KeyBoxes to fit antique knobs, French Doors and Lever-style handles. SuperHoops have split-ring design for easy installation and feature a scuff-resistant finish that won't mar doors. Durable nylon thermoplastic construction fits smaller diameter locksets up to 27mm (1.06") x 19mm (.75").