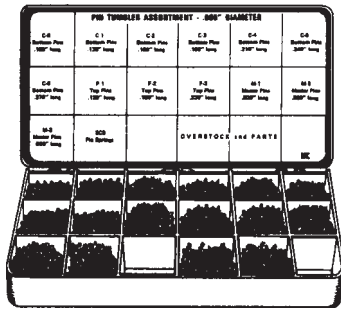


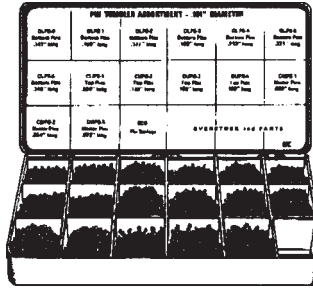
KEYING/SERVICE KITS

FOR YALE by HPC



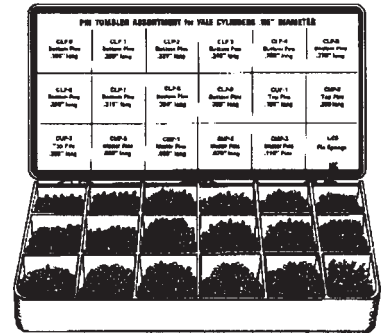
YPA-095

Pin kit for current Yale cylinders of .095" diameter.
100 ea. Bottom Pins, #0 thru #6
100 ea. Top Pins, #1 thru #3
100 ea. Master Pins, #1 thru #3
144 Cylinder Springs (LCS)
Packed in Plastic Box.



YPA-101

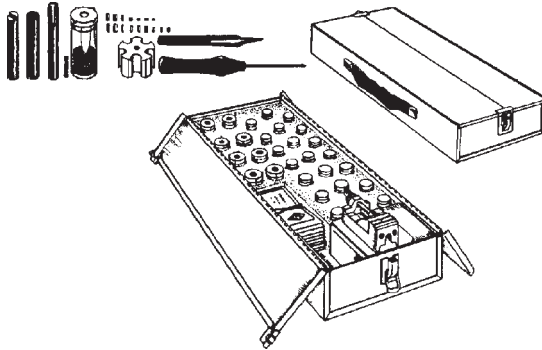
Pin kit for current Yale cylinders of .101" diameter.
100 ea. Bottom Pins, #0 thru #6
100 ea. Top Pins, #1 thru #4
100 ea. Master Pins, #1 thru #3
144 Cylinder Springs (LCS)
Packed in Plastic Box.



YPA-115

Pin kit for current Yale cylinders of .115" diameter.
100 ea. Bottom Pins, #0 thru #9
100 ea. Top Pins, #1 thru #3
100 ea. Master Pins, #0 thru #3
144 Cylinder Springs (LCS)
Packed in Plastic Box.

HPC

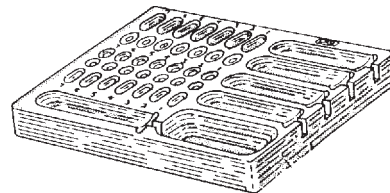


COKO-5 Carry-Out Keying Kit

This handy kit contains almost everything needed to handle outside keying jobs. Follow through tools, plug holders, pins, cylinder springs, tailpieces and tweezers are all contained in this kit. An excellent machinist's vise swings up on a hinged plate, ready for instant use. The inside of the lid is lined with foam tape to keep all interior parts where they belong. The kit measures 17-1/2" x 7-1/2" x 3-1/4".

LAB

PIN TRAY

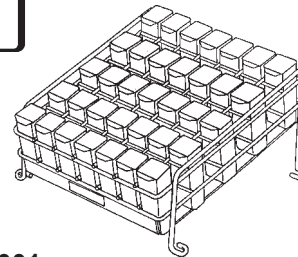


LB-LPB 001

- Made of Apple Wood
- 5 Plug Availability
- Use with Fingers or Tweezers

LAB

VIAL STADIUM



LB-LSS 001

- Holds 35 LAB pin vials
- Tie-Down feet for easy mounting on wall, bench or van
- Vials not included